

Product Specification

Multiplexer CWDM OADM1 (2 Channel CWDM Optical Add/Drop Multiplexer)

1. Features

- Low Insertion Loss
- Wide Pass band
- High Channel Isolation
- High Stability and Reliability
- Epoxy Free Optical Path
- CWDM Grid

2. Applications

- Metro/Access Network
- CATV Fiberoptic System
- CWDM Channel Add/Drop

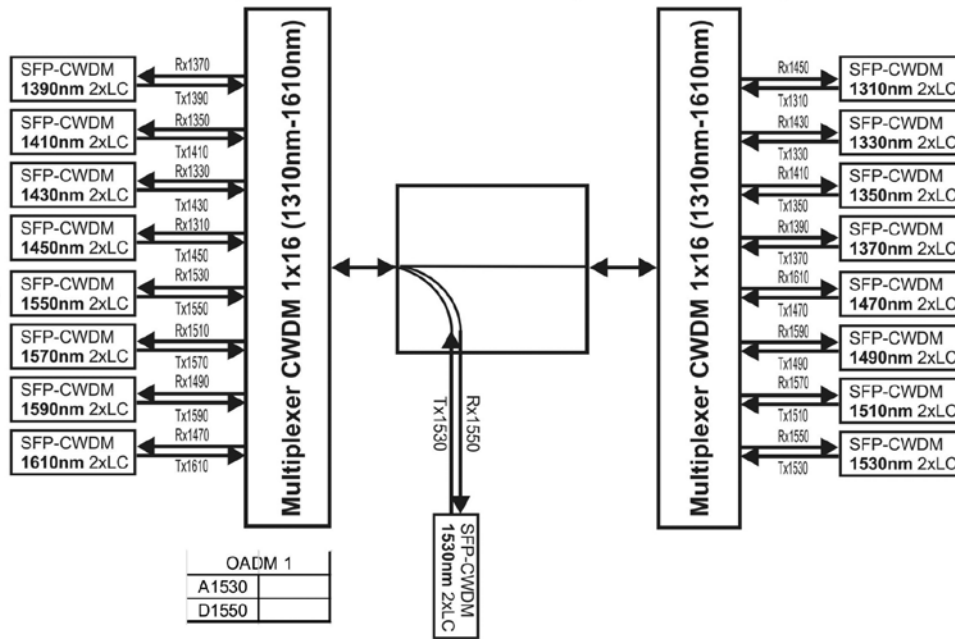


3. Performance Specifications

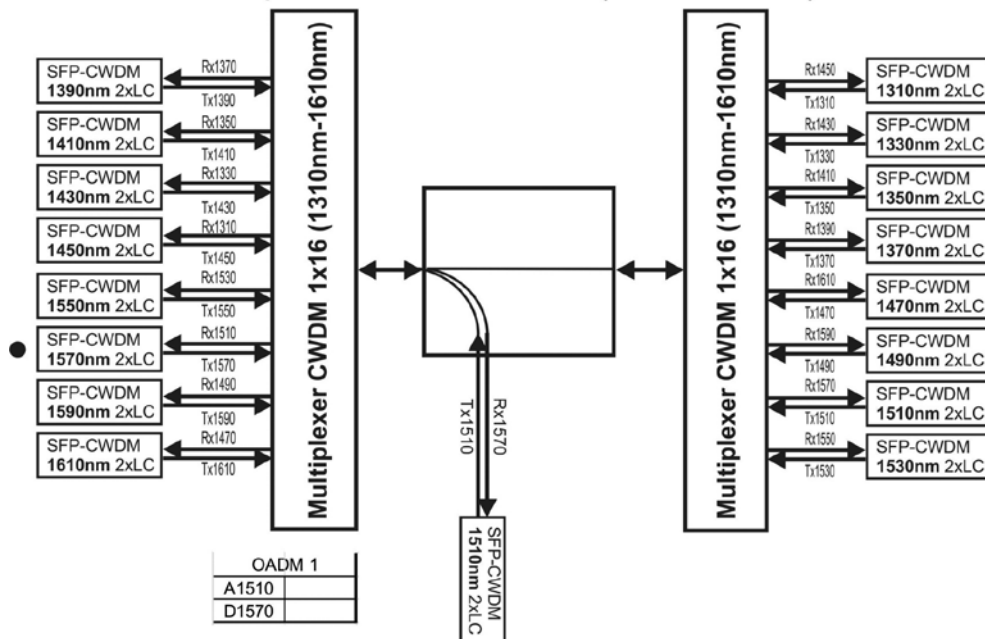
Parameter	Add	Drop	
Channel Wavelength (nm)	1471,1491 or 1470,1490 etc		
Center Wavelength Accuracy (nm)	±0.5		
Channel Spacing (nm)	20		
Channel Passband (@-0.5dB bandwidth) (nm)	≥13		
Insertion loss (dB)	Add./Drop. Channel	≤0.9	
	Express Channel	≤1.2	
Add/Drop Channel Ripple (dB)	≤0.3		
Isolation(dB)	Adjacent	N/A	≥30
	@Add/Drop Channel Non-adjacent	N/A	≥40
Insertion Loss Temperature Sensitivity (dB/°C)	≤0.003		
Wavelength Temperature Shifting (nm/°C)	≤0.002		
PDL (dB)	≤0.10		
PMD (dB)	≤0.1		
Directivity (dB)	≥50		
Return Loss (dB)	≥45		
Power Handling (mW)	300		

Parameter	Add	Drop
Operating Temperature	0°C ~ 70°C	
Storage Temperature	-40°C ~ 85°C	
Dimensions (mm)	See Order information	

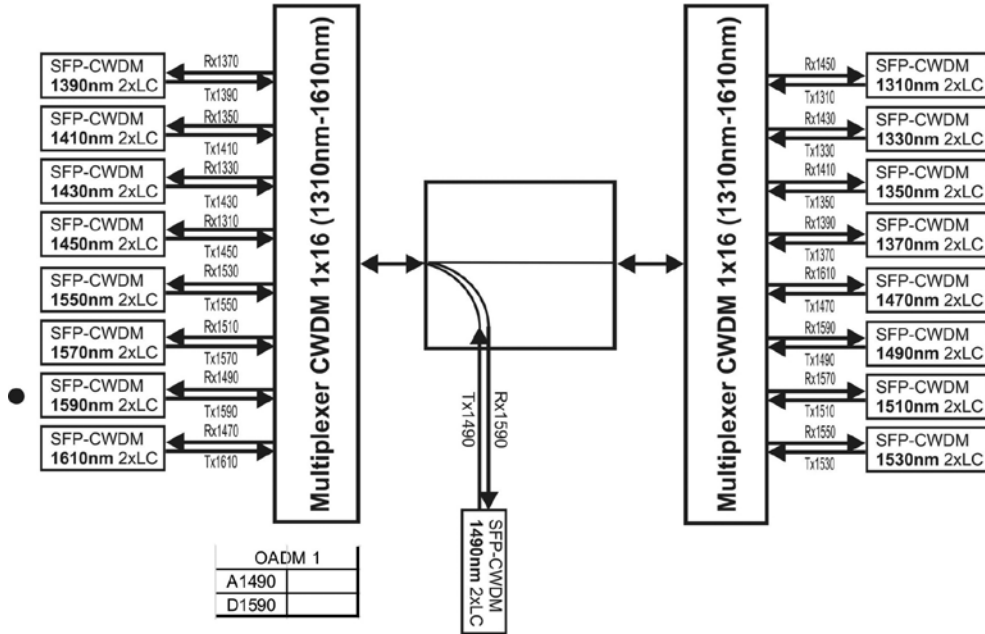
Multiplexer CWDM OADM1 (A1530-D1550)



Multiplexer CWDM OADM1 (A1510-D1570)



Multiplexer CWDM OADM1 (A1490-D1590)



Multiplexer CWDM OADM1 (A1470-D1610)

