

Product Specification

Multiplexer CWDM OADM2 (4 Channel CWDM Optical Add/Drop Multiplexer)

1. Features

- Low Insertion Loss
- Wide Pass band
- High Channel Isolation
- High Stability and Reliability
- Epoxy Free Optical Path
- CWDM Grid

2. Applications

- Metro/Access Network
- CATV Fiberoptic System
- CWDM Channel Add/Drop

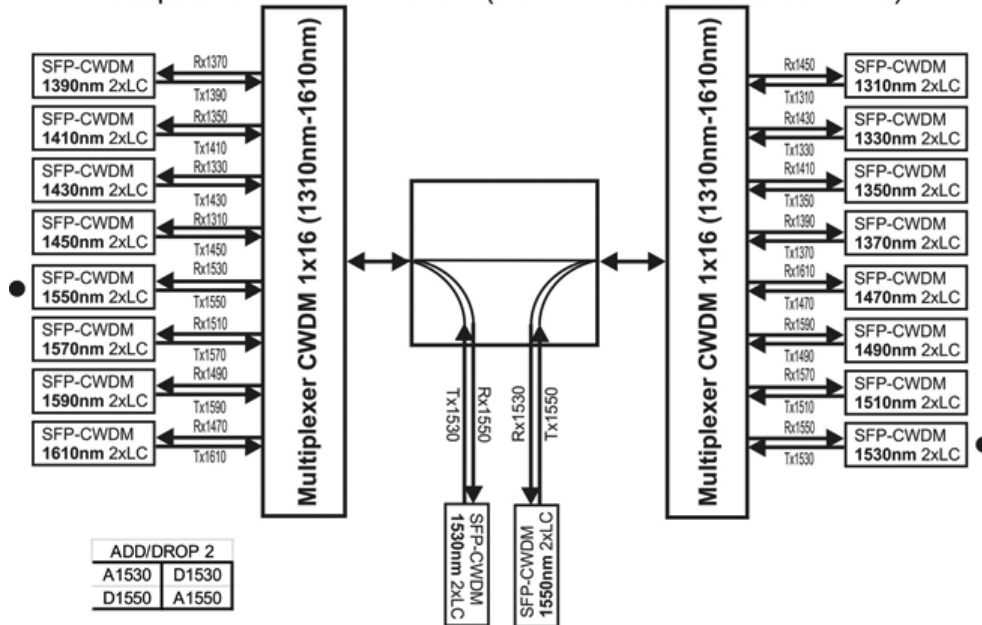


3. Performance Specifications

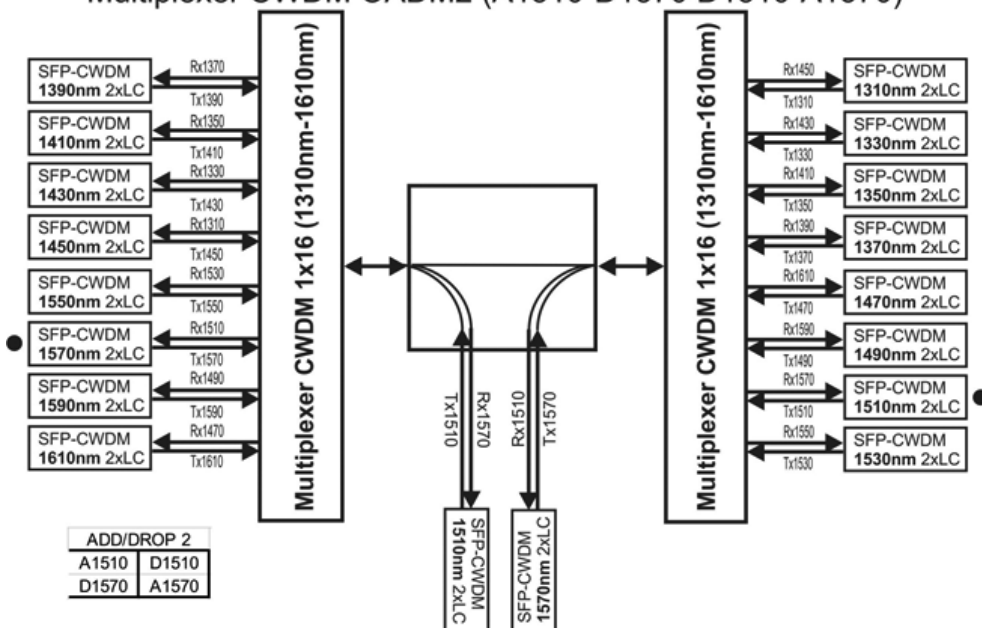
Parameter	Unit	Value
Operating Wavelength	nm	1260~1620
Channel Spacing	nm	20
Drop Channel	nm	1530 1550
Add Channel	nm	1530 1550
Insertion Loss (In->Drop) λ_{drop}	dB	<2.5
Insertion Loss (Add->Out) λ_{add}	dB	<2.5
Insertion Loss (In->Out) λ_{other}	dB	<2.8
Isolation (Adjacent)	dB	>30
Isolation (Non-Adjacent)	dB	/
Isolation(In->Out) λ_{drop}	dB	>25
Insertion Loss Temperature Sensitivity	dB/°C	<0.005
Wavelength Temperature Shifting	nm/°C	<0.002
PDL	dB	<0.1
Return Loss	dB	>45
Fiber Type	/	SMF-28e
Pigtail Dia. /Color	mm	0.9/Yellow

Parameter	Unit	Value
Connector Type	/	In/Out=SC/UPC, Drop/Add=LC/UPC
Pigtail Length	cm	>100
Operating Tem.	°C	-20~ +70
Storage Tem.	°C	-40~ +85
Package	mm	90x70x8(Aluminum alloy)

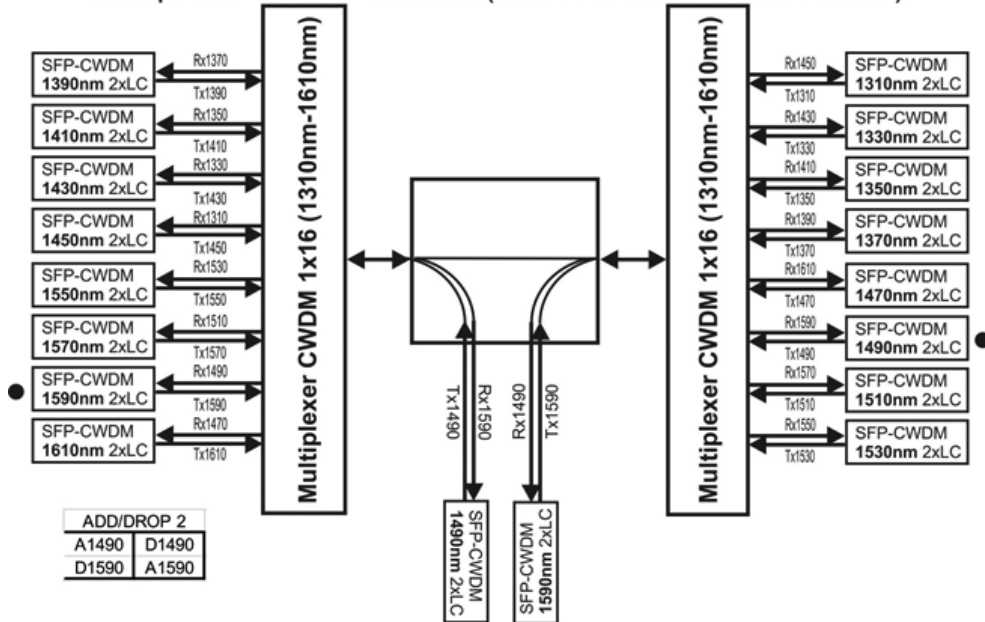
Multiplexer CWDM OADM2 (A1530-D1550 D1530-A1550)



Multiplexer CWDM OADM2 (A1510-D1570 D1510-A1570)



Multiplexer CWDM OADM2 (A1490-D1590 D1490-A1590)



Multiplexer CWDM OADM2 (A1470-D1610 D1470-A1610)

