

Product Specification

SFP CWDM 1G 20km LC

1.25Gb/s CWDM Single-mode SFP Transceiver



1. Product Features

- Up to 1.25Gb/s data links
- The DFB laser transmitter
- Up to 20km on 9/125µm SMF
- Hot-pluggable SFP footprint
- Duplex LC/UPC type pluggable optical interface
- Low power dissipation
- Metal enclosure, for lower EMI
- RoHS compliant and lead-free
- Support Digital Diagnostic Monitoring interface
- Single +3.3V power supply
- Compliant with SFF-8472
- Operating case temperature: 0°C to +70°C

2. Applications

- Switch to Switch Interface
- Gigabit Ethernet
- Switched Backplane Applications
- Router/Server Interface
- Other Optical Links

3. Description

A-GEAR's SFP CWDM 1G 20km LC Small Form Factor Pluggable (SFP) transceivers are compatible with the Small Form Factor Pluggable Multi-Sourcing Agreement (MSA). The transceiver consists of five sections: the LD driver, the limiting amplifier, the digital diagnostic monitor, the DFB laser and the PIN photo-detector. The module data link up to 20KM in 9/125um single mode fiber.

The optical output can be disabled by a TTL logic high-level input of Tx Disable, and the

system also can disable the module via I2C. Tx Fault is provided to indicate that degradation of the laser. Loss of signal (LOS) output is provided to indicate the loss of an input optical signal of receiver or the link status with partner. The system can also get the LOS (or Link)/ Disable/Fault information via I2C register access.

4. Absolute Maximum Ratings

| Parameter | Symbol | Min. | Max. | Unit |
|---------------------------------|-------------------|------|----------------------|-----------------------|
| Storage Temperature | TS | -40 | 85 | °C |
| Storage Ambient Humidity | HA | 5 | 95 | % |
| Power Supply Voltage | V _{CC} | -0.5 | 4 | V |
| Signal Input Voltage | | -0.3 | V _{CC} +0.3 | V |
| Receiver Damage Threshold | | +3 | | dBm |
| Lead Soldering Temperature/Time | T _{SOLD} | | 260/10 | °C/sec ^[1] |
| Lead Soldering Temperature/Time | T _{SOLD} | | 360/10 | °C/sec ^[2] |

Notes:

- [1] Suitable for wave soldering.
- [2] Only for soldering by iron.

5. Recommended Operating Conditions

| Parameter | Symbol | Min. | Typical | Max. | Unit |
|-------------------------------|-----------------|------|-----------|------|---------------------------------|
| Ambient Operating Temperature | TA | 0 | | 70 | °C |
| Ambient Humidity | HA | 5 | | 70 | % ^[1] |
| Power Supply Voltage | V _{CC} | 3.13 | 3.3 | 3.47 | V |
| Power Supply Current | I _{CC} | | | 280 | mA |
| Power Supply Noise Rejection | | | | 100 | mVp-p ^[2] |
| Data Rate | | | 1250/1250 | | Mbps ^[3] |
| Transmission Distance | | | | 20 | km |
| Coupled Fiber | | | | | Single mode fiber 9/125um G.652 |

Notes:

- [1] Non-condensing
- [2] 100Hz to 1MHz
- [3] TX Rate/RX Rate

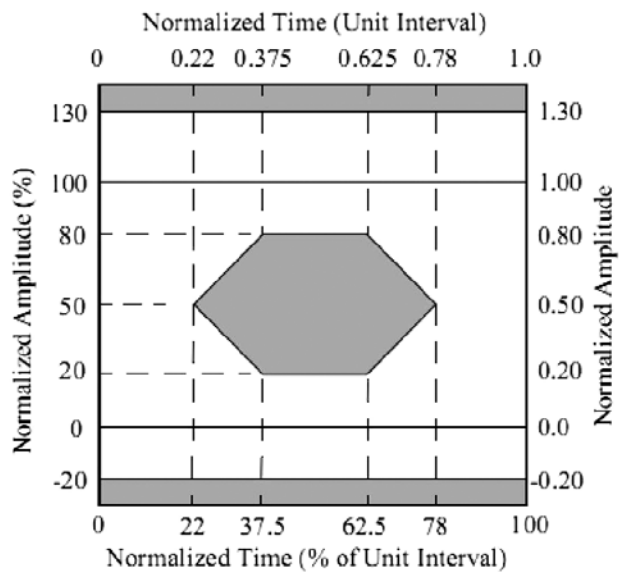
6. Specification of Transmitter

| Parameter | Symbol | Min. | Typical | Max. | Unit |
|----------------------|------------------|------|---------|------|------|
| Average Output Power | P _{OUT} | -9 | | -3 | dBm |
| Extinction Ratio | ER | 9 | | | dB |

| Parameter | Symbol | Min. | Typical | Max. | Unit |
|-----------------------------------|---|-----------|---------|-----------|----------|
| Center Wavelength | λ_C | (1XX0)-10 | 1XX0 | (1XX0)+10 | nm [1,5] |
| Side Mode Suppression Ratio | SMSR | 30 | | | dB |
| Spectrum Bandwidth(-20dB) | σ | | | 1 | nm |
| Transmitter OFF Output Power | P _{off} | | | -45 | dBm |
| Differential Line Input Impedance | R _{IN} | 90 | 100 | 110 | Ohm |
| Optical Rise/Fall Time | tr/tf | | | 0.26 | ns [2] |
| Total Jitter | t _j | | | 120 | ps [3] |
| Output Eye Mask | Compliant with IEEE802.3 z (class 1 laser safety) [4] | | | | |

Notes:

- [1] «XX» is: 27, 29, 31, 33, 35, 37, 39, 41, 43, 45, 47, 49, 51, 53, 55, 57, 59 and 61
- [2] These are unfiltered 20-80% values.
- [3] Measure at 2Λ7-1 NRZ PRBS pattern
- [4] Transmitter eye mask definition
- [5] DFB Laser



7. Specification of Receiver

| Parameter | Symbol | Min. | Typical | Max. | Unit |
|-----------------------------------|--------------------------------|-----------|---------|-----------|----------|
| Input Optical Wavelength | λ_{IN} | (1XX0)-10 | 1XX0 | (1XX0)+10 | nm [1,5] |
| Receiver Sensitivity | P _{IN} | | | -20 | dBm [2] |
| Input Saturation Power (Overload) | P _{SAT} | -3 | | | dBm |
| Signal Detect (Assert Power) | P _A | | | -21 | dBm |
| Signal Detect (De-Assert Power) | P _D | -35 | | | dBm [3] |
| Signal Detect Hysteresis | P _A -P _D | 0.5 | 2 | 6 | dB |
| Data Output Rise/Fall time | tr/tf | | | 0.36 | ns [4] |

Notes:

- [1] «XX» is: 27, 29, 31, 33, 35, 37, 39, 41, 43, 45, 47, 49, 51, 53, 55, 57, 59 and 61.
- [2] Measured with Light source 1XX0 nm, ER=9dB; BER = $\lt; 10^{-12}$ @ PRBS=2⁷-1 NRZ
- [3] When SD De-Assert, the RX-LOS output is High-level (fixed)
- [4] These are 20%~80% values.
- [5] PIN-TIA

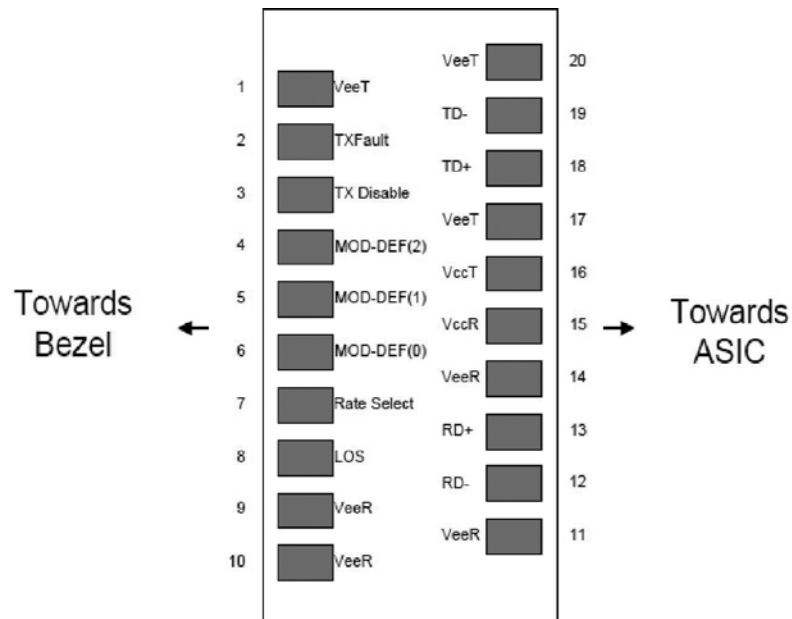
8 Electrical Interface Characteristics

| Parameter | Symbol | Min. | Max. | Unit |
|--------------------------------|-------------------|------|----------------------|-------------------|
| Transmitter | | | | |
| Total Supply Current | I _{CC} | | A | mA ^[1] |
| Transmitter Disable Input-High | V _{DISH} | 2 | V _{CC} +0.3 | V |
| Transmitter Disable Input-Low | V _{DISL} | 0 | 0.8 | V |
| Transmitter Fault Input-High | V _{DISL} | 2 | V _{CC} +0.3 | V |
| Transmitter Fault Input-Low | VTxFH | 0 | 0.8 | V |
| Receiver | | | | |
| Total Supply Current | I _{CC} | | B | mA ^[1] |
| LOSS Output Voltage-High | V _{LOSH} | 2 | V _{CC} +0.3 | V ^[2] |
| LOSS Output Voltage-Low | V _{LOSL} | 0 | 0.8 | V |

Notes:

- [1] A (TX) + B (RX) = 280mA (Not include termination circuit)
- [2] LVTTTL

9 Pin Assignment



Pin out of Connector Block on Host Board

10. Pin Descriptions

| Pin | Symbol | Name/Description |
|-----|--------------------|---|
| 1 | V _{EET} | Transmitter Ground (Common with Receiver Ground) ^[1] |
| 2 | T _{FAULT} | Transmitter Fault. Not supported. |
| 3 | T _{DIS} | Transmitter Disable. Laser output disabled on high or open. ^[2] |
| 4 | MOD_DEF(2) | Module Definition 2. Data line for Serial ID. ^[3] |
| 5 | MOD_DEF(1) | Module Definition 1. Clock line for Serial ID. ^[3] |
| 6 | MOD_DEF(0) | Module Definition 0. Grounded within the module. ^[3] |
| 7 | Rate Select | No connection required ^[4] |
| 8 | LOS | Loss of Signal indication. Logic 0 indicates normal operation. ^[5] |
| 9 | V _{EER} | Receiver Ground (Common with Transmitter Ground) ^[1] |
| 10 | V _{EER} | Receiver Ground (Common with Transmitter Ground) ^[1] |
| 11 | V _{EER} | Receiver Ground (Common with Transmitter Ground) ^[1] |
| 12 | RD- | Receiver Inverted DATA out. AC Coupled |
| 13 | RD+ | Receiver Non-inverted DATA out. AC Coupled |
| 14 | V _{EER} | Receiver Ground (Common with Transmitter Ground) ^[1] |
| 15 | V _{CCR} | Receiver Power Supply |
| 16 | V _{CCT} | Transmitter Power Supply |
| 17 | V _{EET} | Transmitter Ground (Common with Receiver Ground) ^[1] |
| 18 | TD+ | Transmitter Non-Inverted DATA in. AC Coupled. |
| 19 | TD- | Transmitter Inverted DATA in. AC Coupled. |
| 20 | V _{EET} | Transmitter Ground (Common with Receiver Ground) ^[1] |

Notes:

- [1] Circuit ground is internally isolated from chassis ground.
- [2] Laser output disabled on T_{DIS} >2.0V or open, enabled on T_{DIS} <0.8V.
- [3] Should be pulled up with 4.7k - 10kohms on host board to a voltage between 2.0V and 3.6V.
- [4] MOD_DEF (0) pulls line low to indicate module is plugged in.
- [5] This is an optional input used to control the receiver bandwidth for compatibility with multiple data rates (most likely Fiber Channel 1x and 2x Rates). If implemented, the input will be internally pulled down with > 30kΩ resistor. The input states are:
 Low (0 - 0.8V): Reduced Bandwidth
 (>0.8, < 2.0V): Undefined
 High (2.0 - 3.465V): Full Bandwidth
 Open: Reduced Bandwidth
- [6] LOS is open collector output should be pulled up with 4.7k - 10kohms on host board to a voltage between 2.0V and 3.6V. Logic 0 indicates normal operation; logic 1 indicates loss of signal.

11. Digital Diagnostic Functions

A-GEAR SFP CWDM 1G 20km LC transceivers support the 2-wire serial communication protocol as defined in the SFP MSA. It is very closely related to the E2PROM defined in the GBIC standard, with the same electrical specifications.

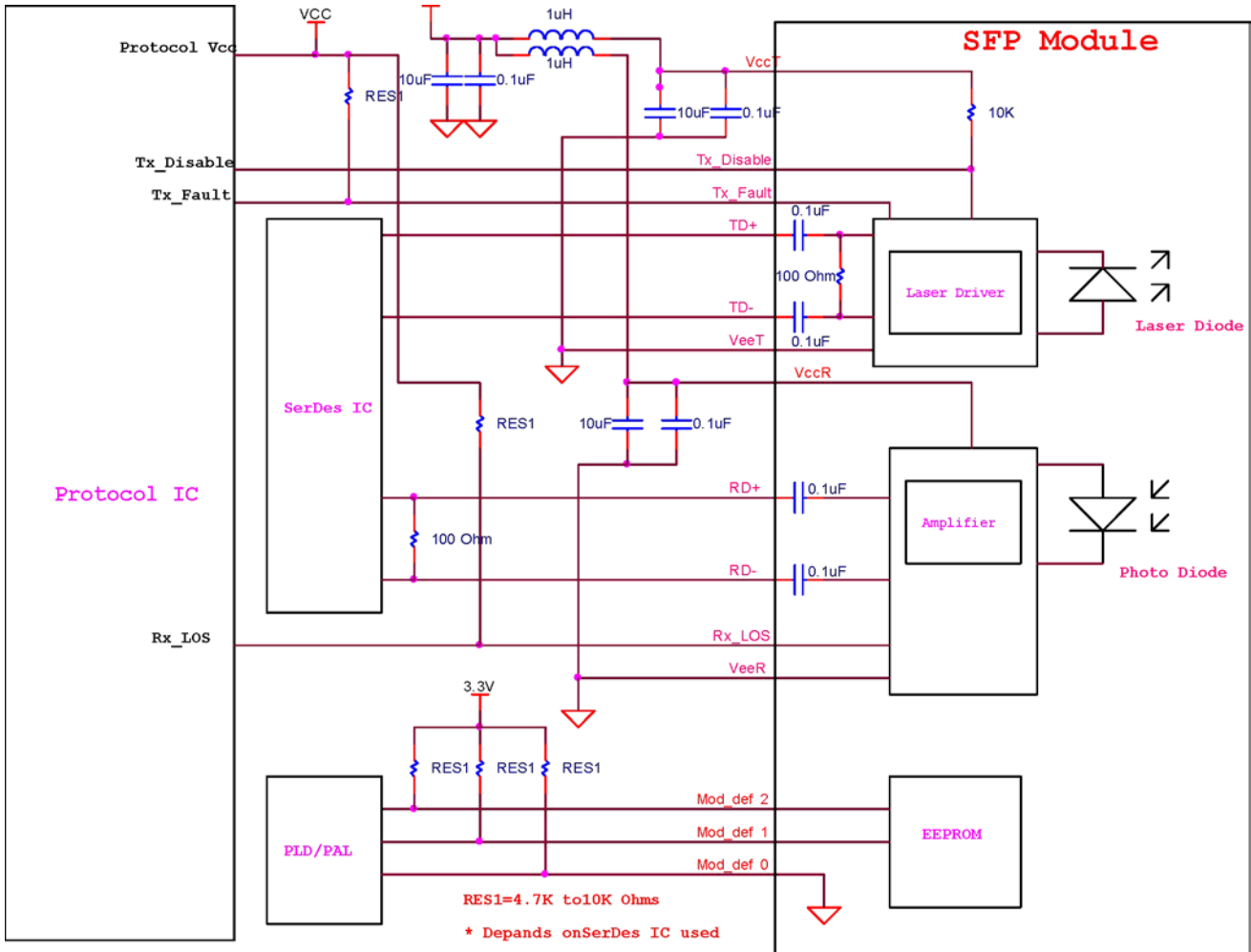
The standard SFP serial ID provides access to identification information that describes the transceiver's capabilities, standard interfaces, manufacturer, and other information. Additionally, A-GEAR SFP transceivers provide a unique enhanced digital diagnostic monitoring interface, which allows real-time access to device operating parameters such as transceiver temperature, laser bias current, transmitted optical power, received optical power and transceiver supply voltage. It also defines a sophisticated system of alarm and warning flags, which alerts end-users when particular operating parameters are outside of a factory set normal range.

The SFP MSA defines a 256-byte memory map in E2PROM that is accessible over a 2-wire serial interface at the 8 bit address 1010000X (A0h). The digital diagnostic monitoring interface makes use of the 8 bit address 1010001X (A2h), so the originally defined serial ID memory map remains unchanged. The interface is identical to, and is thus fully backward compatible with both the GBIC Specification and the SFP Multi Source Agreement.

The operating and diagnostics information is monitored and reported by a Digital Diagnostics Transceiver Controller (DDTC) inside the transceiver, which is accessed through a 2-wire serial interface. When the serial protocol is activated, the serial clock signal (SCL, Mod Def 1) is generated by the host. The positive edge clocks data into the SFP transceiver into those segments of the E2PROM that are not write-protected. The negative edge clocks data from the SFP transceiver. The serial data signal (SDA, Mod Def 2) is bi-directional for serial data transfer. The host uses SDA in conjunction with SCL to mark the start and end of serial protocol activation. The memories are organized as a series of 8-bit data words that can be addressed individually or sequentially.

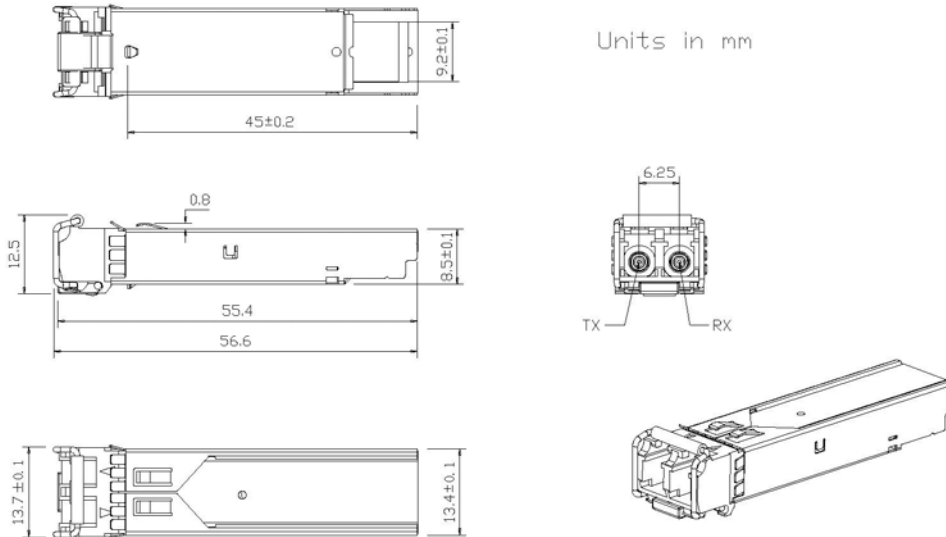
Digital diagnostics for the SFP CWDM 1G 20km LC are internally calibrated by default.

12 Host - Transceiver Interface Block Diagram



13. Outline Dimensions

Comply to SFF-8432 rev5.0, the improved Pluggable form factor specification.



14. Regulatory Compliance

| Feature | Reference | Performance |
|---|--|---------------------------|
| Electrostatic Discharge (ESD) to the Electrical Pins | MIL-STD-883E Method 3015.7 EIA-JESD22-A114 | Class 1 |
| Electrostatic Discharge (ESD) to the Simplex Receptacle | IEC/EN 61000-4-2 | Compatible with standards |
| Electromagnetic Interference (EMI) | FCC Part 15 Class B EN 55022 Class B (CISPR 22A) | Compatible with standards |
| Laser Eye Safety | FDA 21CFR 1040.10, 1040.11 IEC/EN 60825-1 IEC/EN 60825-2 | Class 1 laser product |
| Component Recognition | IEC/EN 60950 UL 60950 | Compatible with standards |
| ROHS | 2002/95/EC | Compatible with standards |