

FBT Coupler

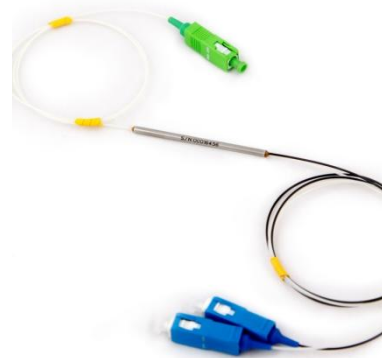
The single mode dual/Three window couplers are based on FBT technology, have excellent performance.

Features

- Low Insertion loss
- Various Coupling Ratio
- Compact Size

Applications

- Long-Haul Telecommunications
- CATV Systems & Fiber Sensors
- Local Area Network



Specifications:

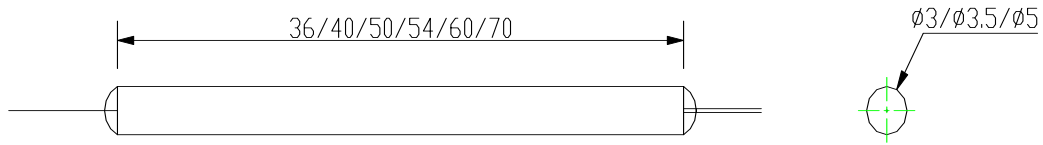
Grade	P	A	
Excess Loss(Typ.)(dB)	0.1	0.15	
Max. Insertion Loss(dB)	3.6	3.8	
Uniformity(dB)	0.7	1	
Polarization Sensitivity(dB)	0.1	0.15	
Operating Wavelength(nm)	1310/1550±40,1310/1585±40,1310/1490/1550±40 or custom wavelength		
Coupling Ratio(%)	50/50		
Directivity(dB)	≥55		
Operating Temperature(°C)	-20~+70		
Storage Temperature(°C)	-40~+85		
Port Configuration	1X2 or 2X2		
Max. Insertion Loss(dB)	50/50	3.3/3.3	3.4/3.4
	45/55	3.8/2.9	3.9/3.0
	40/60	4.3/2.5	4.4/2.6
	35/65	4.9/2.1	5.0/2.2
	30/70	5.6/1.8	5.7/1.85
	25/75	6.4/1.45	6.5/1.55
	20/80	7.4/1.15	7.5/1.2
	15/85	8.7/0.9	8.8/0.95
	10/90	10.5/0.6	10.6/0.7
	5/95	13.7/0.35	13.8/0.4
	1/99	21.0/0.15	21.3/0.2

Note:All the data above does not include connectors.

Device Schematic Drawing (unit: mm):

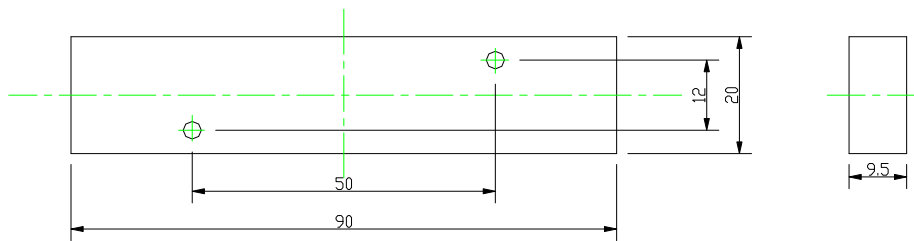
1. Stainless Steel Tube:

B1 ($\phi 3 \times 50$) / **B2** ($\phi 3 \times 45$) / **B3** ($\phi 3.5 \times 45$) / **B4** ($\phi 5 \times 70$) / **B5** ($\phi 3 \times 60$) / **B6** ($\phi 3 \times 36$) / **B7** ($\phi 3 \times 40$):

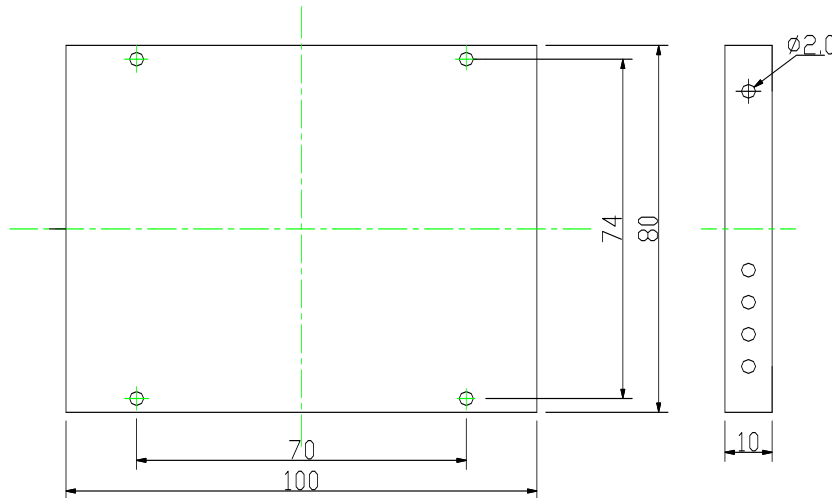


2. Plastic Box:

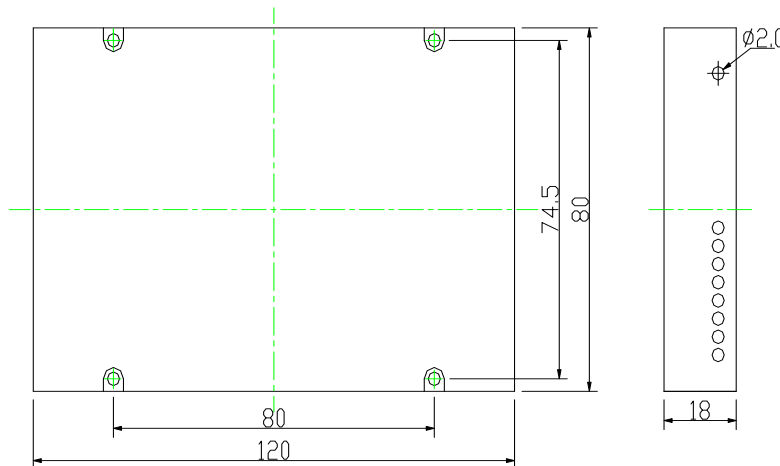
1) D (90 X20 X9.5)



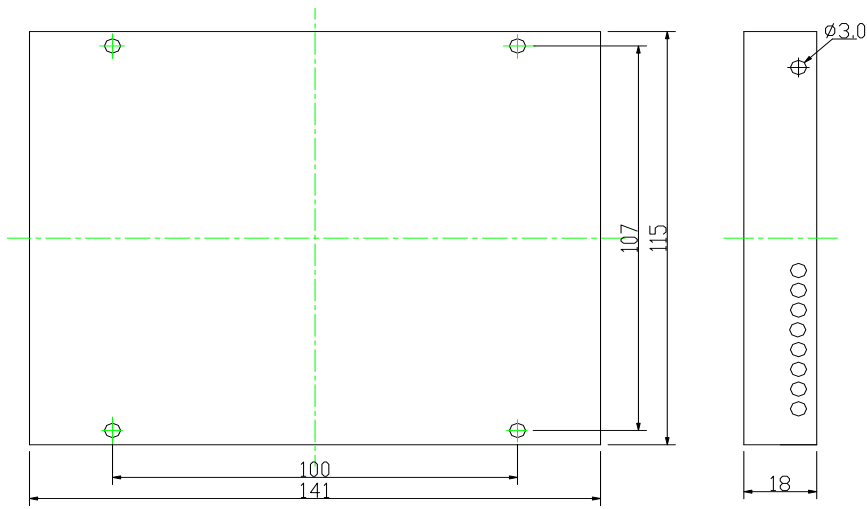
2) E (100 X80 X10)



3) K (120 X80 X18)

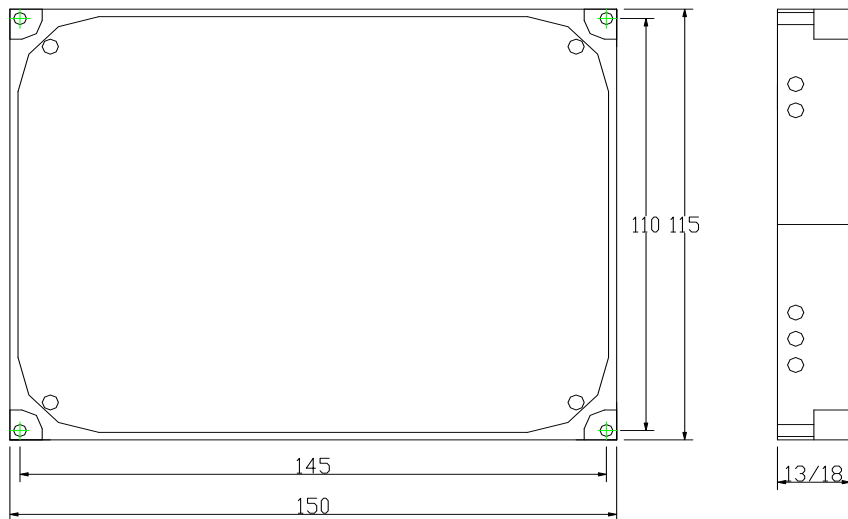


4) F (141 X115 X18)

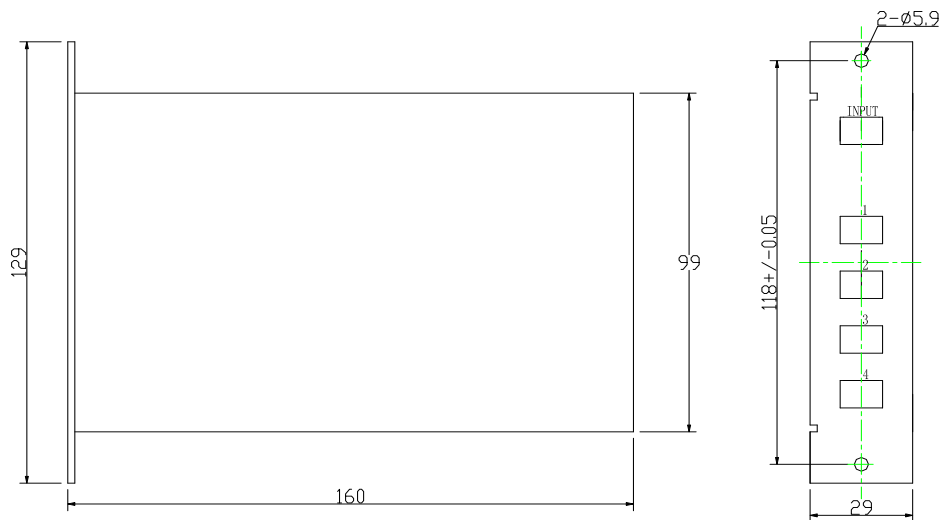


3. Metal box:

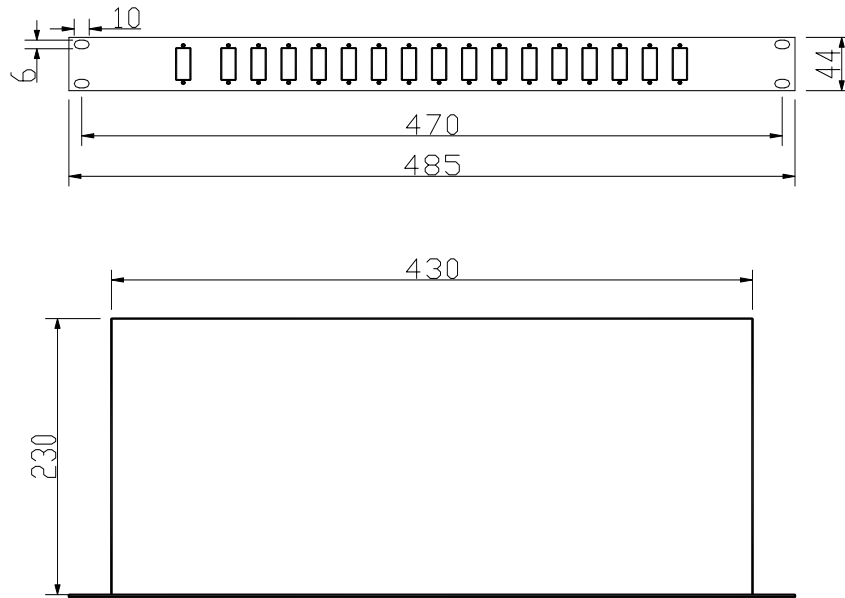
L (150X115X13) /H (150X115X18)



4. LGX Box:



5. 19' Rack Mount:



Order Information

FBT	-	-	-	-	-	-	-	-	-
	Type	Port	Wavelength	Coupling Ratio	Fiber Type	Package	Pigtail Type	Pigtail Length	Connector
Type	S=Coupler								
Port	0101=1x1, 0102=1x2, ..., 0404=4x4, ..., 0132=1x32, 0232=2x32								
Wavelength	98=980, 13=1310, 14=1490, 15=1550 1314=1310&1490, 1315=1310&&1550, 345=1310&1490&1550 85=850, 9815=980&1550, 8513=850&1310								
Coupling Ratio (Attenuation or Stage)	01=1/99 or 1dB or 1 Stage, 02=2/98 or 2dB or 2 Stage, 03=3/97 or 3dB or 3 Stage 05=5/95 or 1dB, 10=10/90 or 10dB, 15=15/85 45=45/55, 00=equal ratio, X=Others								
Fiber Type	1=G652D, 2=G657A, 5=50/125, 6=62.5/125, X=Others								
Package Dimension	B1, B2, ..., F, K								
Pigtail Type	B=250μm Bare fiber, L=900μm Loose tube, S=2.0mm, R=3.0mm, 0=Adapter								
Pigtail Length	05--20=0.5--2.0m, 0=Adapter, X=Others								
Connector Type	FU=FC/UPC, FA=FC/APC, SU=SC/UPC, SA=SC/APC, ST=ST/UPC, LU=LC/UPC, LA=LC/APC, 00=None, X=Others								

Photos of Products:

