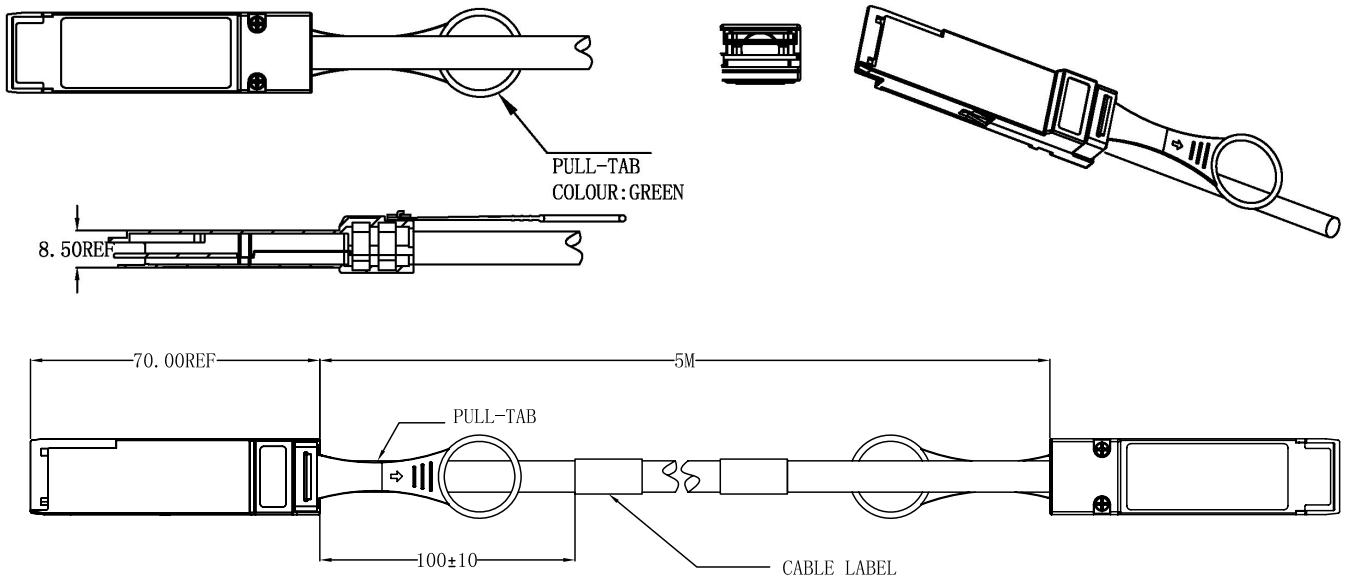


# Product Specification

## QSFP 40G Copper Twinax Cable 5M

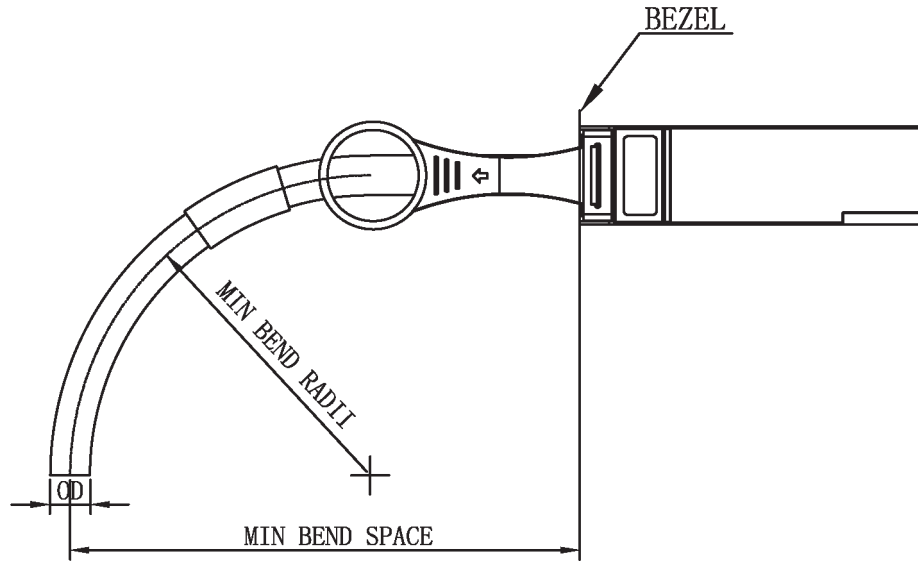
### 1 CHART

PAHT NAME	CADGE	LENGTH	TOLERANCE	DESCRIPTION
QSFP 40G Copper Twinax Cable 5M	28 AWG	5.14M	+ 0.09	QSFP-QSFP QDR 40G Copper Cable Assembly, Passive



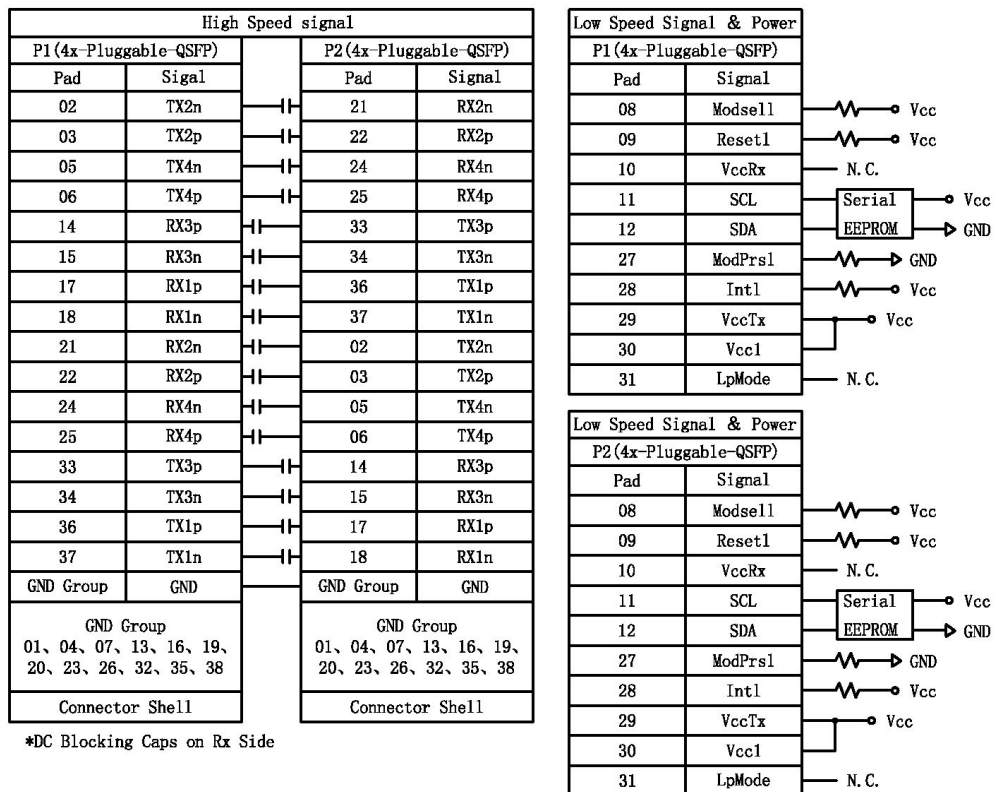
**NOTES:**

- [1] Cable distance depends on wire gauge, data rate, and host board driver capabilities
- [2] Materials: backshells-zinc die cast with bright nickel plating delatch-stainless steel with overmolded nylon pcb-fr4 rivets-stainless steel
- [3] Impedance-100 ohms differential
- [4] This product meets the restriction of hazardous substances in electticial and electronic equipment (rohs)oirective



CABLE AWG	OD(mm)	MIN BEND RADII(mm)	MIN BEND SPACE
24	9.8	48	74.75
28	8.2	42	68.12
30	6.8	35	60.50

## 2. Wiring Diagram



### 3. EEPROM Values for Manufacturers QSFP Passive Copper Cables

Data Adress	Name of Field	QSFP (hex)	Notes and additional Description
0	Identifier	0D	Indicates QSFP+
1	Status Indicator - Reserved	00	
2	Status Indicator	02	Page memory, IntL Interrupt Output pin=1
3-106	Interupt flags, monitoring values, control bytes, masking bits	00	Not used for passive copper
107-118	Reserved	00	
119-126	Password Entry Function	00	Optional Password funtion. Not used by Manufacturers
127	Page Select Byte	00	Page 0 only
128	Identifier	0D	Indicates QSFP+
129	Extended identifier	00	Not used for passive copper
130	Connector	23	23h = no separable connector
131	Ethernet compliance	08 for IEEE 802.3ba compliant lengths. 00 for all others	08h = 40GBASE-CR4
132	SONET compliance	00	
133	SAS/SATA compliance	00	
134	Gigabit Eternet compliance	00	
135-137	Fibre Channel link information	41, 80, 80	Short distance, inter~enclosure, intra-enclosure, twin axial pair
138	Fibre Channel speed	D5	100,200,400,800,1200 Mbytes/sec
139	Encoding	00	00h=unspec i f ied
140	BR, Nominal	64	Bit rate per lane in 100 Mb/s, 64h = 10x100Mb or 10Gb, 32h= 50x100Mb or 5Gb
141	Extended rate select compliance	00	Not used for passive copper
142-145	Length (for various types of fiber)	00	

## A-GEAR World Wide Manufacturing

Data Address	Name of Field	QSFP (hex)	Notes and additional Description
146	Length (copper cable)	Meters	Length in Meters. 0lh is used for cables < 1m. Fractional lengths are rounded up to the next integer length.
147	Transmitter technology	AO	AOh = Copper cable, unequalized
148-163	Vendor name (ASCII)	20, 20, 20, 20, 20, 20, 20, 20, 20...	«Manufacturers* followed by spaces
164	Infiniband Compliance codes	07	07h=QDR/DDR/SDR support 03h=DDR/SDR support
165-167	Vendor IEEE OUI	00, IE, 62	Manufacturers' s IEEE company identifier
168-183	Vendor PN (ASCII)	Manufacturers PN	Extra bytes are filled with spaces (20h)
184-185	Vendor Rev (ASCII)	Product Rev	Manufacturers' s product drawing revision number. Extra bytes are filled with spaces (20h)
186	Attenuation at 2.5GHz	Based on length/gage	In dB
187	Attenuation at 5.0GHz	Based on length/gage	In dB
188-189	Wavelength Tolerance	00	Not used for passive copper
190	Max Case Temp	46	46h = 70 degrees C
191	CC_BASE check code	Calculated value	A check code for Bytes 128-190 inclusive
192-195	Options	00	All set to 00h. These options are reserved for future use or typically not implemented for passive copper assemblies.
196-211	Vendor S/N (ASCII)	Manufacturers S/N	The serial number for the cable assembly
212-213	Date Code (ASCII) two low order digits of year	Year of manufacture	2 digit year (ie 31h, 30h= 10 = 2010)
214-215	Date Code (ASCII) digits of month (01-12)	Month of manufacture	30h, 31h = 01 = January, 30h, 32h = 02 = February, etc
216-217	Date Code (ASCII) day of month (0-31)	Day of manufacture	30h, 31h = 01 (1st day of the month)



## A-GEAR World Wide Manufacturing

---

Data Address	Name of Field	QSFP (hex)	Notes and additional Description
218-219	Lot Code (ASCII) vendor specific or blank	00	Not used. Manufacturers uses S/N for traceability
220	Diagnostic Monitoring Type	00	Not used
221	Enhanced Options	00	Rate selection declaration and application select table declaration are not used
222	Reserved	00	
223	CC.EXT check code	Calculated value	A check code for Bytes 192-222 inclusive
224-255	Vendor specific	Not used	